

Main Application: Screen Printing



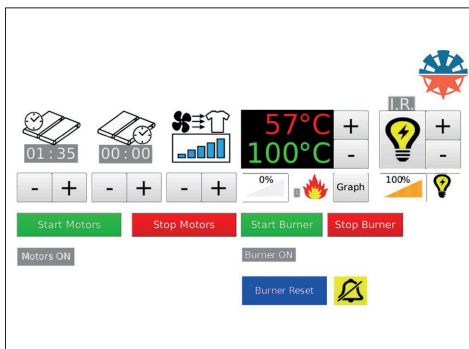
Features

“Griff” is a tunnel oven with high air circulation. The gas heating has been chosen to reduce energy costs.

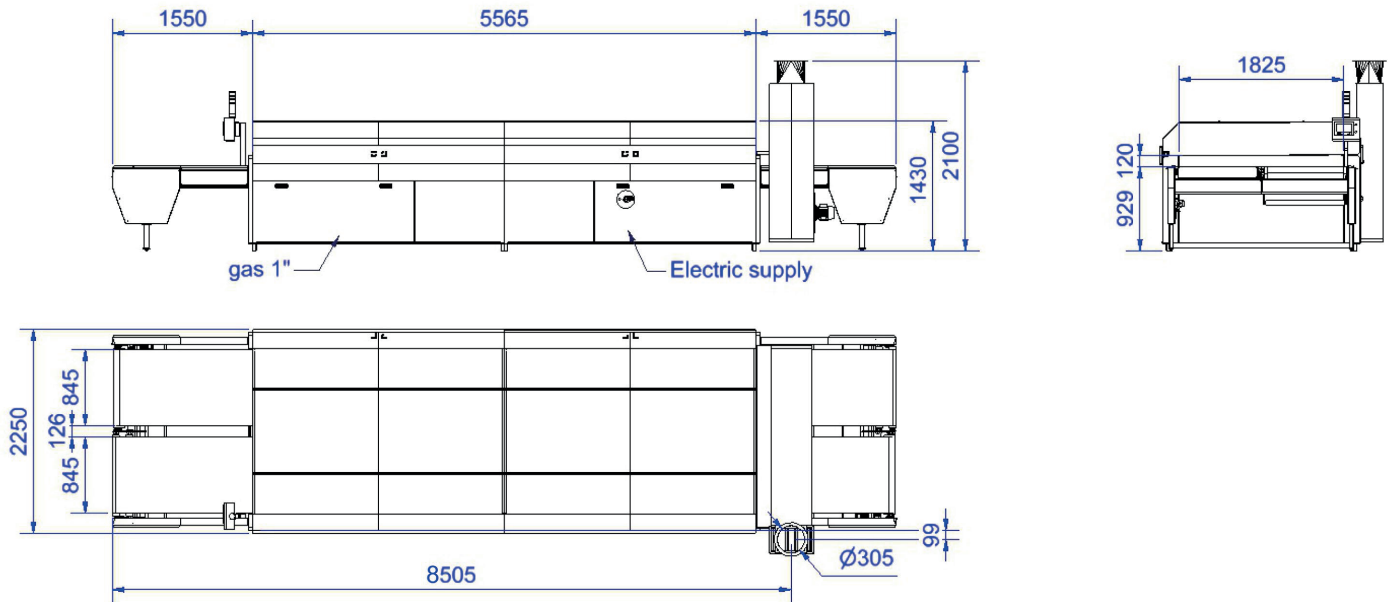
- It is designed to dry and cure fabrics printed with digital printers using water-based inks.
- The hot air circulation is particularly accurate and use reversed blades fans, with high efficiency and low noise.
- The air exchange is calibrated to expel water vapor and combustion fumes and facilitate drying.
- The outflow nozzles send the air onto the product in a perpendicular and high speed way.
- The temperature is regulated by a precision thermostat that drives a modulating premixed burner.
- The flame is then always present and its intensity varies in function of power demand.
- The passage height is 130 mm, sufficient for the vast majority of products.
- The two independent belt speeds version can dry simultaneously two products with different needs.
- It is possible to lift the upper section electronically to easily perform the internal cleaning of the oven.

Optionals

- Infeed and outfeed support extensions
- Multiple conveyor belt configurations



Main Application: Screen Printing



Technische Daten	GRIFF 5560	GRIFF 5560	Griff 5560	Griff 5560
Förderband	1 Band	side by side	1 Band + 1 m IR Modul	side by side + 1 m IR Modul
Art.-Nr.	1380005	1380002	1380006	1380007
Anschluss	400 V 3P + N + PE / 4,8 A	400 V 3P + N + PE / 4,8 A	400 V 3P + N + PE / 4,8 A	400 V 3P + PE / 4,8 A
Absaugung	1500 m ³ /h - Ø 300 mm	1500 m ³ /h - Ø 300 mm	1500 m ³ /h - Ø 300 mm	1500 m ³ /h - Ø 300 mm
Max. Temperatur	200 °C	200 °C	200 °C	200 °C
Leistung	3,2 kW	3,2 kW	3,2 kW	3,2 kW
Breite Förderband	1800 mm	2 x 900 mm	1800 mm	2 x 900 mm
Länge Fördersystem	5560 mm	5560 mm	5560 mm	5560 mm
Durchsatz pro/Std*	800+ Stück	800+ Stück	800+ Stück	800+ Stück
Größe mm (LxBxH) **	8660x2250x2100	8660x2250x2100	8660x2250x2100	8660x2250x2100
Versandgewicht	ca. 2600 kg	ca. 2600 kg	2600 kg	2600 kg

* Produktion eines Shirt bei einer Druckgröße von A4 - 3 Minuten Trocknungszeit

** Abmessungen können je nach Konfiguration variieren (abhängig von Zu- und Auslauf-Erweiterungen)